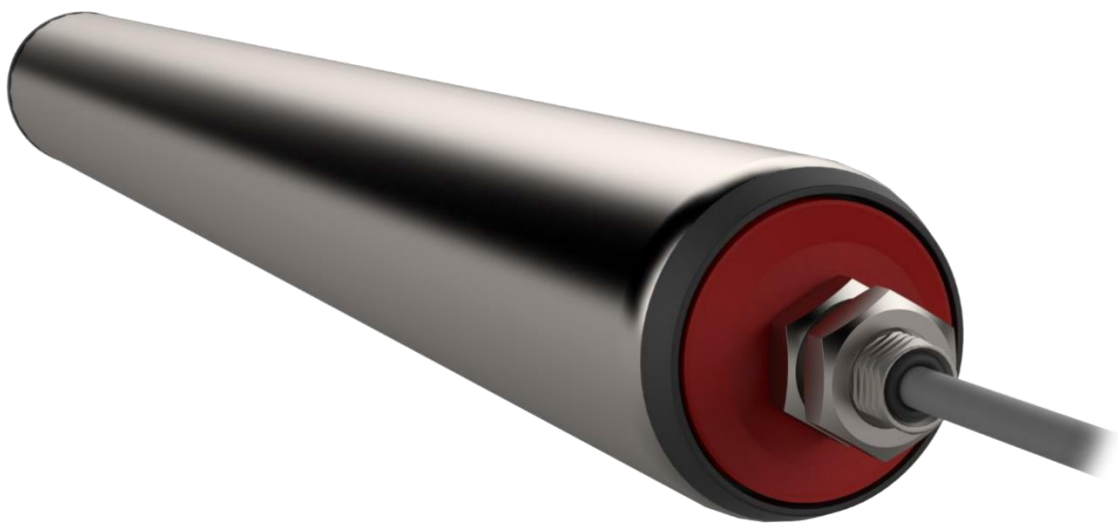
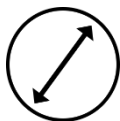


ROLLER DRIVE

HERKULES 60



24/48VDC



Ø60mm



500W

The drum motors of the HERKULES 60 product range contain very powerful and at the same time efficient synchronous motors, which are designed for the respective operating range according to the latest calculation methods. The motors are combined with planetary gears, which are dimensioned for a maximum of compactness and power density. The planetary gears of each gear stage are equipped with their own bearings. This guarantees maximum running smoothness and a long service life.

Technical data

Designation		Description				
Nominal voltage*	VDC	24	48			
Power	W	80	130	210	410	500
Nominal current	A	4,6	5,5	8,2	11,8	13,8
Starting current	A	6,8	27,3	40,1	40,2	51,7

Ambient temperature**	°C	0 ... 40				
Outer diameter	mm	Ø60				
Wall thickness	mm	3,0				
Tube material		galvanized steel, stainless steel				
Tube***		cylindrical crowned tube pvc – house coating cone for curves				
Protection class		IP54				

* 400 VAC on request.

** Other ambient temperatures on request.

*** Dimensions and design can be adapted to customer specifications.

Versions

Power [W]	v [m/s]	M _n [Nm]	M _a [Nm]	F _n [N]	F _{max} [N]
80	0 ... 0,22	9,9	14,0	331	467
	0 ... 0,35	6,8	12,9	225	429
	0 ... 0,50	4,8	9,2	161	307
	0 ... 0,63	3,9	7,4	129	245
	0 ... 0,73	3,1	5,9	103	196
	0 ... 1,01	2,2	4,4	74	147

130	0 ... 0,26	12,0	14,0	400	467
	0 ... 0,36	9,7	17,5	322	583
	0 ... 0,50	6,9	17,5	230	583
	0 ... 0,63	5,5	17,5	184	583
	0 ... 0,79	4,4	17,5	147	583
	0 ... 1,05	3,3	12,5	110	417

210	0 ... 0,26	12,0	14,0	400	467
	0 ... 0,36	14,0	17,5	467	583
	0 ... 0,50	11,5	17,5	383	583
	0 ... 0,63	9,2	17,5	307	583
	0 ... 0,79	7,4	17,5	245	583
	0 ... 1,05	5,5	12,5	184	417

Power [W]	v [m/s]	M_n [Nm]	M_a [Nm]	F_n [N]	F_{max} [N]
410	0 ... 0,26	43,7	55,0	1458	1833
	0 ... 0,36	31,2	55,0	1041	1833
	0 ... 0,50	22,3	55,0	744	1833
	0 ... 0,63	17,8	52,0	595	1733
	0 ... 0,79	14,3	48,6	476	1619
	0 ... 1,05	10,7	36,4	357	1214

500	0 ... 0,26	44,0	55,0	1467	1833
	0 ... 0,36	38,6	55,0	1288	1833
	0 ... 0,50	27,6	55,0	920	1833
	0 ... 0,63	22,1	52,0	736	1733
	0 ... 0,79	17,7	52,0	589	1733
	0 ... 1,05	13,2	45,0	442	1500

v speed
M_n nominal torque
M_a starting torque
F_n nominal traction force
F_{max} max. traction force

Motor connection*

Motor cable length 0,5m with open ends, external motor controller

Signal	Pin	Description	Wire colour	
U	1	Motor phase U	Brown	
V	2	Motor phase V	White	
W	3	Motor phase W	black	
NP	4	Neutral point	Blue	
GND	5	Ground	grey	

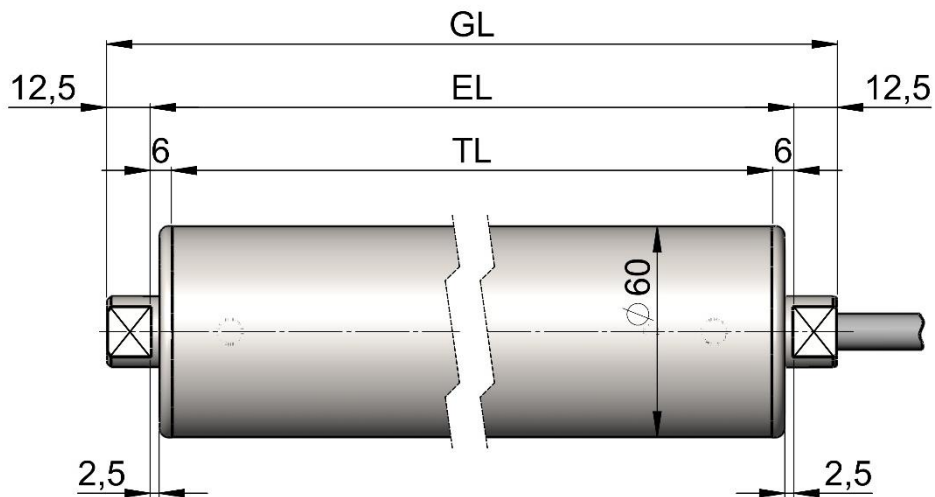
* Assignment Hall – Encoder and resolver on request.

Optional extensions*

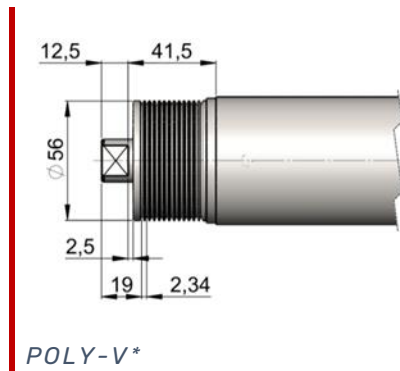
Feedback	Description
Hallsensor	5V, 3×120° - H1, H2, H3
Encoder	5V VTTL, 1024 I/U, A/B/I
Resolver	on request
Holding brake	24VDC, 0,5Nm

* Other feedback-systems and brakes on request.

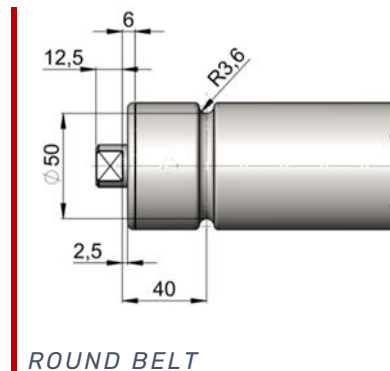
Dimensions



STANDARD

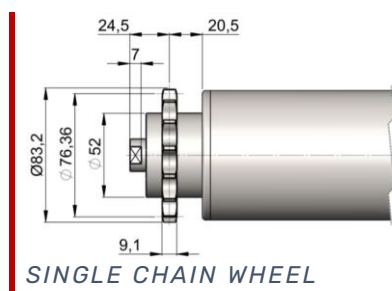


POLY-V*

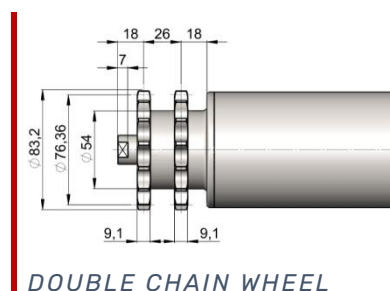


ROUND BELT

*** Not available in Germany.**



SINGLE CHAIN WHEEL



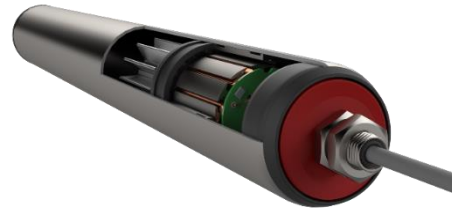
DOUBLE CHAIN WHEEL

GL overall length
 EL clamping length
 TL support tube length

„INNOVATION IS OUR DRIVE“

MOTORIZED ROLLERS/DRUM MOTORS

*Highest power density in relation to the support tube diameter.
Suitable solutions for sorters, roller conveyors, lifting stations or chain conveyors.*

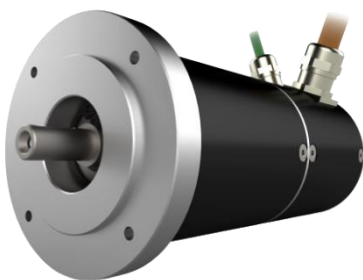


WHEEL HUB DRIVE

Whether differential or omnidirectional, individual drive solutions for shuttle or driverless transport systems up to 10m/s (36km/h) or more is possible.

DRIVE CONTROLLER

*Voltage range from 24/48VDC.
Whether sensorless or with feedback system, an optimal control for the motors is guaranteed.*



SYNCHRONOUS MOTORS

*Individual engine designs offer maximum flexibility for your application.
Also available with attached gearbox.*

HEADQUARTER AT

Westbahnstraße 32
4482 Ennsdorf
Austria
office@mta-innovation.com
+43 720 920 500

www.mta-innovation.com

SALES OFFICE DE

Neumeyerstraße 22-26
90411 Nürnberg
Germany
office.de@mta-innovation.com
+49 911 951 513 99